

Type of  
equipment

Water pump  
explode drawing

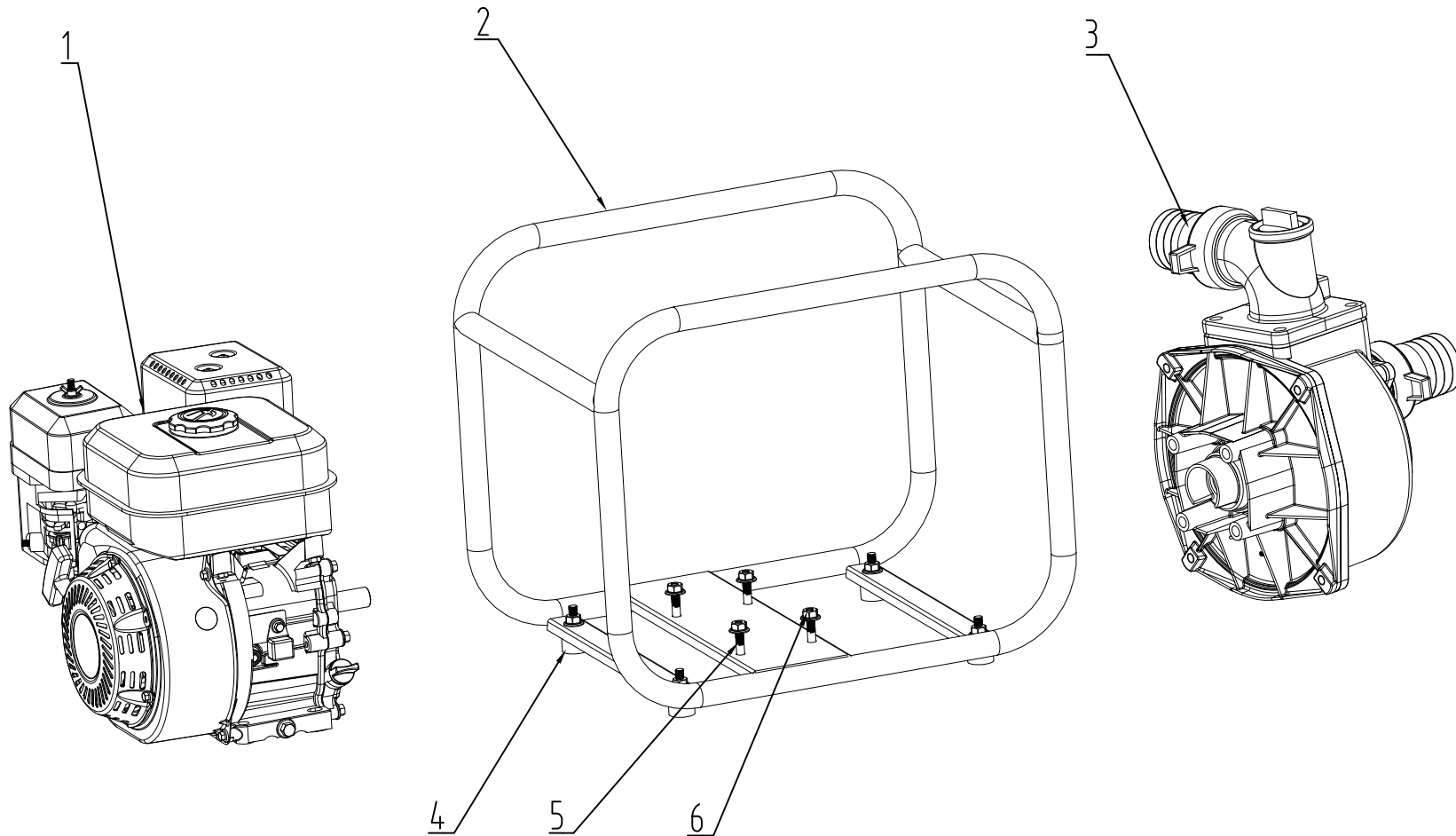
type

WP50

Date

20160411

sheet 1/4



6	M8螺母	M8 nut	8
5	机脚螺栓 M8X35	Machine feet bolt M8X35	4
4	橡胶脚	Rubber feet	4
3	水泵	water pump	1
2	水泵机架	water pump Frame	1
1	汽油机	Gasoline engine	1
NO	Chinese Name	English Name	Number

Type of equipment

Water pump  
explode drawing

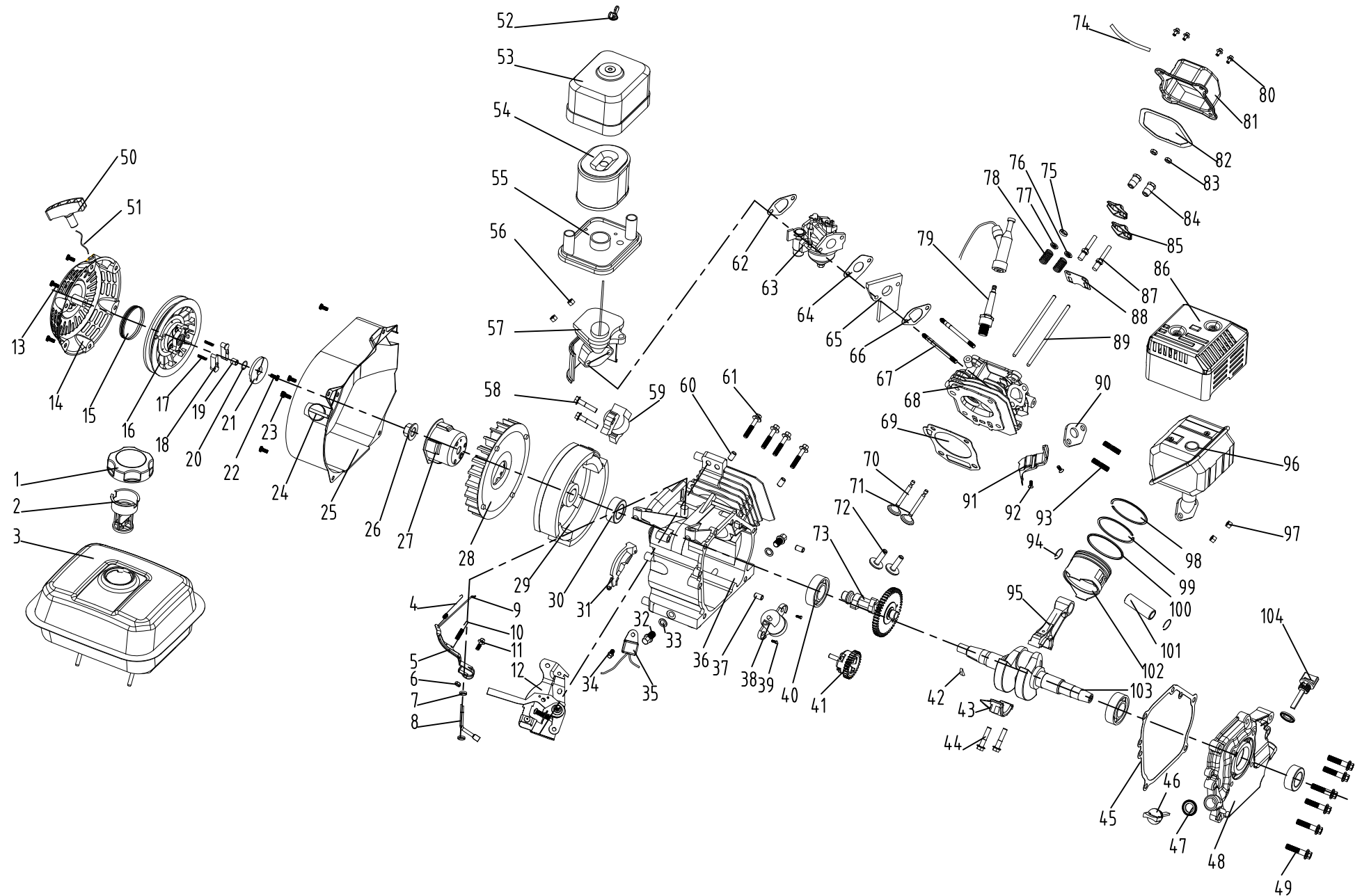
File name

Gasoline engine explode drawing

Date

20160411

sheet 2/4



				Type of equipment	Water pump explode drawing				File name	Gasoline engine listing				Date	20160411	
														sheet 3/4		
NO	English Name	Chinese Name	Number	NO	English Name	Chinese Name	Number	NO	English Name	Chinese Name	Number	NO	English Name	Chinese Name	Number	
1	Fuel Tank Cover	油箱盖	1	31	Windboard	导风板	1	61	Cylinder Head Bolt	汽缸头螺栓	4	91	Lead Windboard	导风罩	1	
2	Strainer	油箱滤网部件	1	32	Oil Drain Plug	放油螺塞	2	62	Air Cleaner Gasket	空滤器垫	1	92	Bolt M6x12	M6x12 螺栓	2	
3	Fuel Tank Parts	油箱部件	1	33	Gasket	垫圈	2	63	Carburetor	化油器	1	93	Double Bolt	双头螺栓	2	
4	Pulling Spring	拉簧	1	34	M6x12 Bolt	M6x12 螺栓	1	64	Carburetor Gasket	化油器垫片	1	94	Piston pin Clip Spring	活塞销卡簧	2	
5	Governor Arm	调速臂	1	35	Interdiction Organ	阻断器	1	65	Carburetor Insulator	化油器隔热板	1	95	Connecting Rods	连杆	1	
6	Nut M6	M6螺母	1	36	Crankcase Parts	箱体	1	66	Carburetor Insulator Gasket	化油器隔热板垫	1	96	Muffler	消声器	1	
7	Gasket	垫圈	2	37	Pin	销	2	67	Carburetor Bolt	化油器螺栓	2	97	Nut M8	M8 螺母	2	
8	Governor Lever	调速杠杆	1	38	Oil Sensor	机油传感器	1	68	Cylinder Head	汽缸头	1	98	Piston Ring 1	活塞环1	1	
9	Governor Rod	调速拉杆	1	39	M6x15 Bolt	M6x15 螺栓	2	69	Cylinder Head Gasket	汽缸头垫片	1	99	Piston Ring 2	活塞环2	1	
10	Governor Spring	调速拉簧	1	40	Bearing 205	205 轴承	2	70	Exhaust Valve	排气门	1	100	Oil Ring	油环	1	
11	Bolt	螺栓	1	41	Governor Gear	调速齿轮	1	71	Intake Valve	进气门	1	101	Piston Pin	活塞销	1	
12	Governor ban parts	调速板部件	1	42	Half-round Key	半圆键	1	72	Tappet	挺柱	2	102	Piston	活塞	1	
13	Bolt M6x10	M6x10螺栓	3	43	Connecting Rods Cover	连杆盖	1	73	Camshaft	凸轮轴	1	103	Crankshaft	曲轴	1	
14	Pulling Tray Cover	拉盘盖	1	44	Connecting Rods Bolt	连杆螺栓	2	74	Rubber Tube	橡胶管	1	104	Oil Gauge	机油尺	1	
15	Spring	弹簧	1	45	Crankcase gasket	箱体垫片	1	75	Exhaust Valve Adjust Nut	排气门调节螺母	2					
16	Pulling Tray	拉盘	1	46	Oil Gauge	机油尺	1	76	Intake Valve Spring Retainer	进气门弹簧座	1					
17	Spring	弹簧	2	47	Gasket	垫圈	1	77	Exhaust Valve Spring Retainer	排气门弹簧座	1					
18	Starting feet	启动脚	2	48	Crankcase Cover	曲轴箱盖	1	78	Valve Spring	气门弹簧	2					
19	Pin	销	1	49	Bolt M8x35	M8x35 螺栓	6	79	Spark Plug	火花塞	1					
20	Clip Spring	卡簧	1	50	Starting Handspike	启动手柄	1	80	Bolt M6x14	M6x14 螺栓	4					
21	Impacted ban	压板	1	51	Starting Line	启动拉绳	1	81	Cylinder head cover	汽缸盖罩	1					
22	Bolt M6x15	M6x15螺栓	1	52	Nut	锁紧螺母	1	82	Cylinder head cover Gasket	汽缸盖罩垫片	1					
23	Bolt M6x12	M6x12螺栓	4	53	Air Cleaner Cover	空滤器盖	1	83	Nut	螺母	2					
24	Switch	开关	1	54	Filter Parts	滤芯部件	1	84	Nut	螺母	2					
25	Lead Wind Cover	导风罩	1	55	Air Cleaner Cover Base	空滤器底座	1	85	Rocker Arm	摇臂	2					
26	Flywheel Nut	飞轮螺母	1	56	Nut-M6-Zn.D	螺母-M6-Zn.D	2	86	Muffler Cover	消声器盖罩	1					
27	Starting Claw	启动爪	1	57	Intake pipe Parts	进气管部件	1	87	Rocker Bolt	摇臂螺栓	2					
28	Fan	风扇	1	58	M6x25	M6x25	2	88	Push-Rod Keep Frame	推杆保持架	1					
29	Flywheel Parts	飞轮	1	59	Ignition Block Parts	点火块组件	1	89	Push-Rod	推杆	2					
30	Seal,Oil	油封	2	60	Cylinder Head pin	缸盖定位销	2	90	Exhaust pipe Gasket	排气管垫片	1					

Type of equipment

Water pump explode drawing

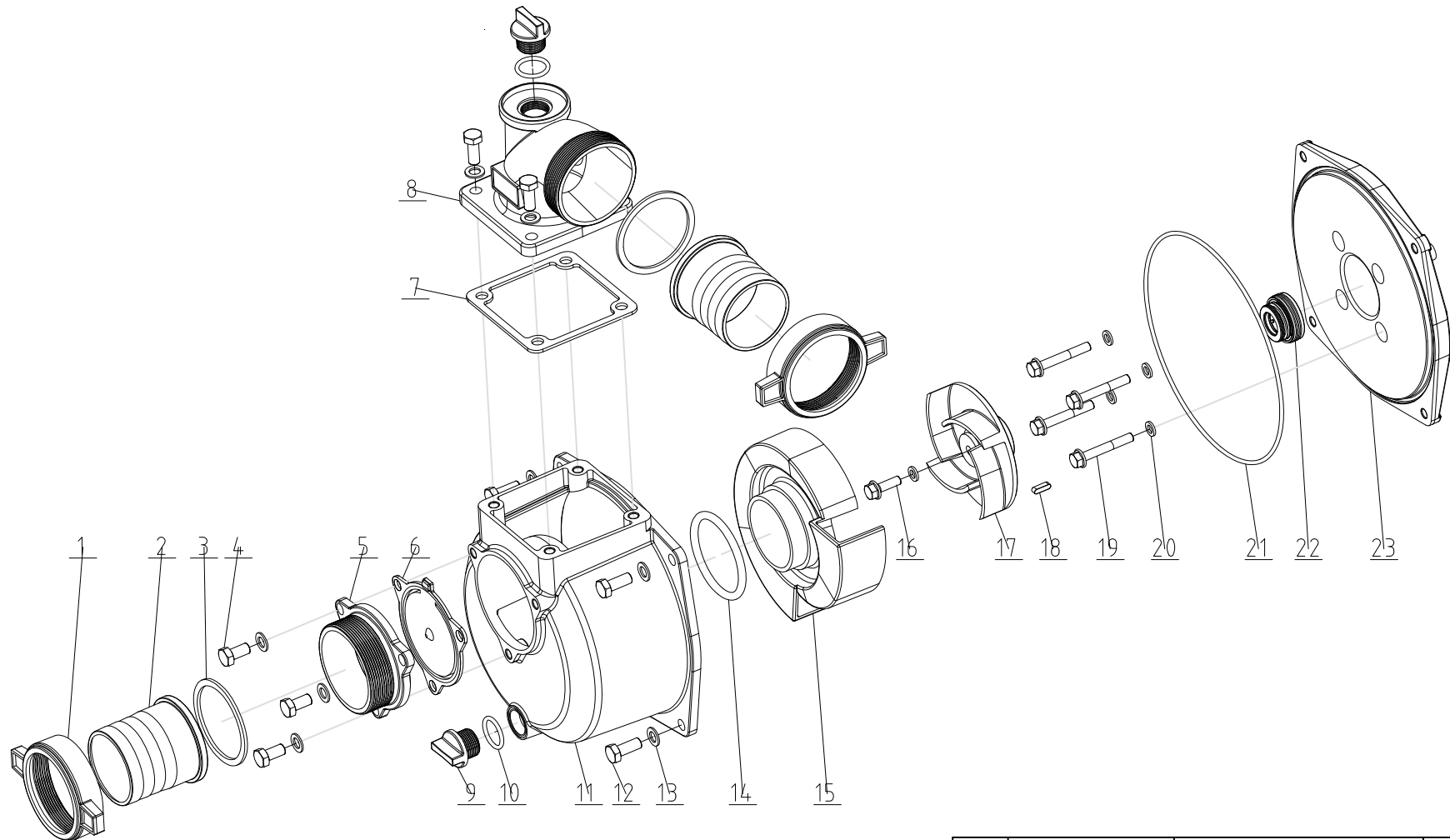
File name

WP50  
Water pump listing

Date

20160411

sheet 4/4



							23	泵底座	Pump base	1	
							22	水封	Water seal	1	
7	出水法兰密封垫	Outlet flange gasket	1	14	O型密封圈-2	O-type sealing ring-2	1	21	O型密封圈-3	O-type sealing ring-3	1
6	止回阀	Check valve	1	13	小垫圈 10	small gasket 10	11	20	M8螺栓密封垫	M8bolt gasket	5
5	进水法兰	Water inlet flange	1	12	螺栓 M8X25	Bolt M8X25	8	19	M8×45螺栓	M8×45 bolt	4
4	螺栓 M8X20	Bolt M8X20	3	11	泵外壳	Pump casing	1	18	平键 5x18	Flat key 5x18	1
3	管接头密封垫	pipe joint gasket	2	10	O型密封圈-1	O-type sealing ring-1	2	17	泵叶轮	Pump impeller	1
2	管接头	pipe joint	2	9	放水螺钉	drain screw	2	16	M8×25螺栓	M8×25 bolt	1
1	管接头压紧螺母	pipe joint gland nut	2	8	出水接头	Discharge water joint	1	15	导流罩	Guide flow cover	1
NO	Chinese Name	English Name	Number	NO	Chinese Name	English Name	Number	NO	Chinese Name	English Name	Number